

# PRECISION CLAMP ON FLEXIBLE ROGOWSKI COIL CT

## JRFS-XXXY-M-XXX Series

CE RoHS2 COMPLIANT IP67 PROBE HEAD ONLY



J&D's new Micro-accuracy flexible rogowski coil measures even sensitive error to use special magnetic winding technology with small size. It is very effective for small sized AC measuring utility since it reduces chronically affected errors on existed Rogowski coil by conductor's position.



### APPLICATIONS

- Very high current monitoring
- DC ripple measurement
- Harmonics and transients monitoring
- Power monitoring & control systems
- Applicable in electronic Watt-hour meter

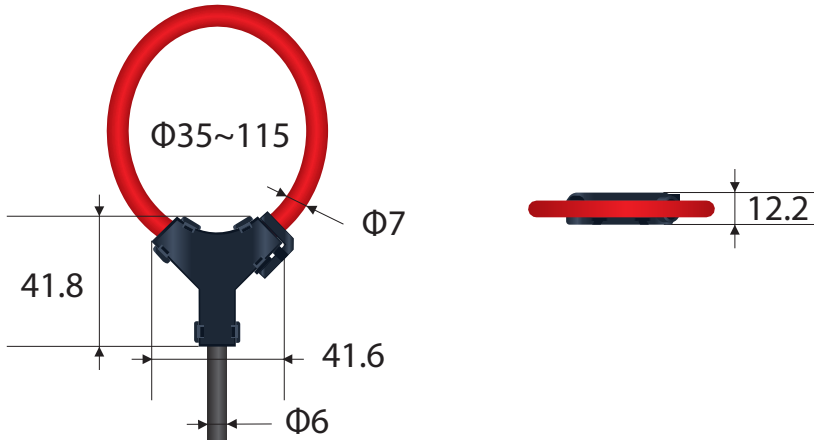
### FEATURES

- $\varnothing 35 / \varnothing 55 / \varnothing 80 / \varnothing 105$ mm sensing aperture for non-contact measurement
- Very low position sensitivity
- No danger from open-circuited secondary
- High secondary output voltage & precise linearity error
- Isolated plastic case recognized according to UL94-V0

### SPECIFICATION

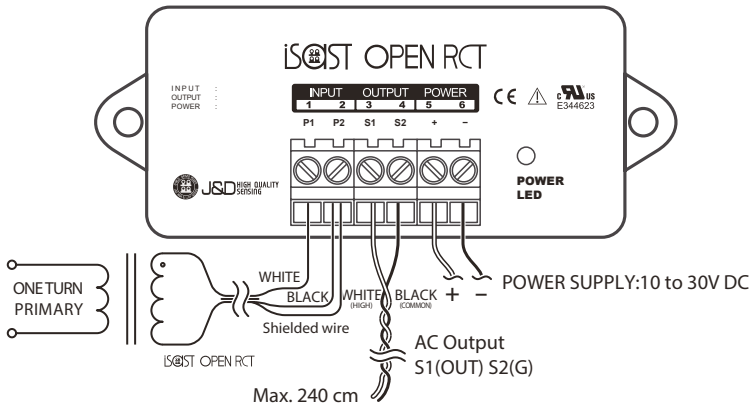
Model	JRFS-035Y	JRFS-055Y	JRFS-080Y	JRFS-105Y
Current Ratio	250A ~ 500A	250A ~ 500A	250A ~ 1kA	1kA ~ 2kA
Output Voltage	48mV AC/500A@50Hz 57.6mV AC/500A@60Hz	50mV AC/500A@50Hz 60mV AC/500A@60Hz	104mV AC/1000A@50Hz 124.8mV AC/1000A@60Hz	208mV AC/2000A@50Hz 249.6mV AC/2000A@60Hz
Accuracy	< 1%			
Phase Shift	< 1° at 50/60Hz (typical < 0.5°)			
Frequency Range	10Hz to 20kHz			
Output Sensitivity Tolerance	±10% maximum(Uncalibrated)			
Output Sensitivity Tolerance	±0.5% of reading at 25°C (Calibrated)			
Linearity (10% to 100% of range)	±0.2% of reading			
Conductor Position Sensitivity	±2% maximum			
Influence of External Field	±2% maximum			
Working Temp.	-30°C ~ + 60°C			
Storage Temp.	-40°C ~ + 60°C			
Insulation Category	CATIII 1000V / CATIV 600V (PD2-Double Insulation)			
Safety Standards	EN/UL/cUL 61010-1, 61010-2-032			
Testing Voltage	7400V/1min			

## DIMENSIONS



## OPTION : INTEGRATOR M-XXX SERIES

\* Diagnostic green LED to check power supply function



M Type 333mVAC