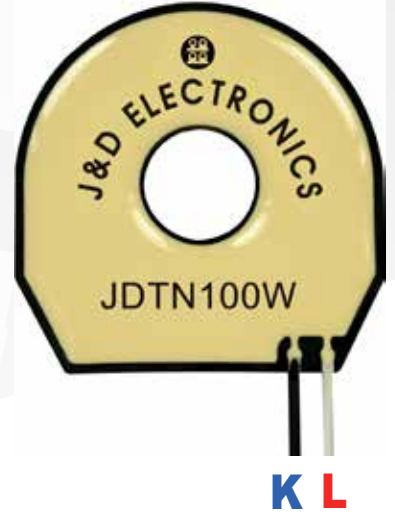
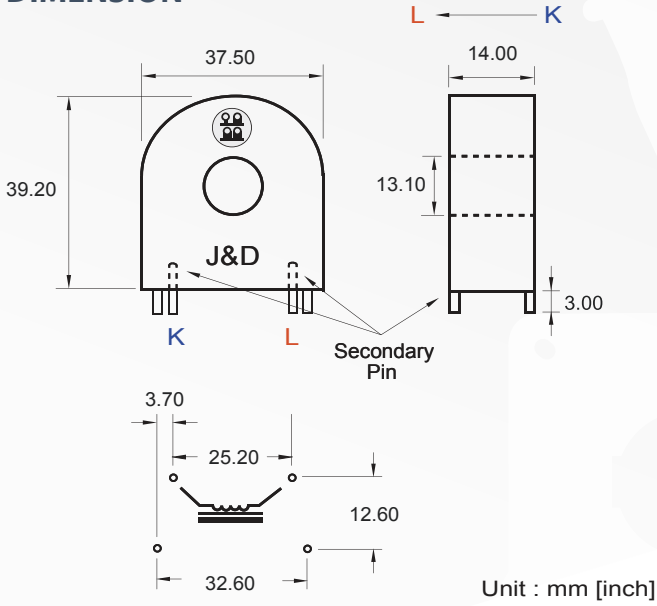


# SOLID-CORE CURRENT TRANSFORMER

## JDTN100W

### DIMENSION

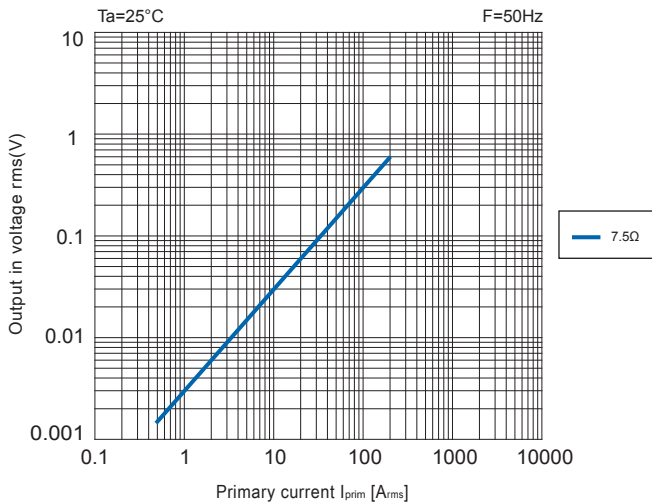


### SPECIFICATION

Accuracy conforms to IEC 61869-2,  
meets the measuring range from 1 to 120 % of  $I_n$

Model	Primary Current Range		Error Phase $\phi(I)$ [°]	Turns Ratio	Characteristical Value				Terminal Structure	Inner Dia. $\phi$
	$I_{max}$ [Arms]	$I_{peak}$ [A0p]			L [H]	Rcu [Ω]	RB [Ω]	UB [Vrms]		
<b>JDTN100W</b>	100	110	4.08	1:2500	3.1	62	7.5	0.3	Wire	10.8

### OUTPUT VOLTAGE DATA



### GRAPH

