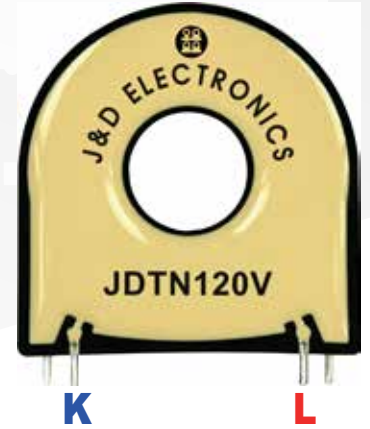
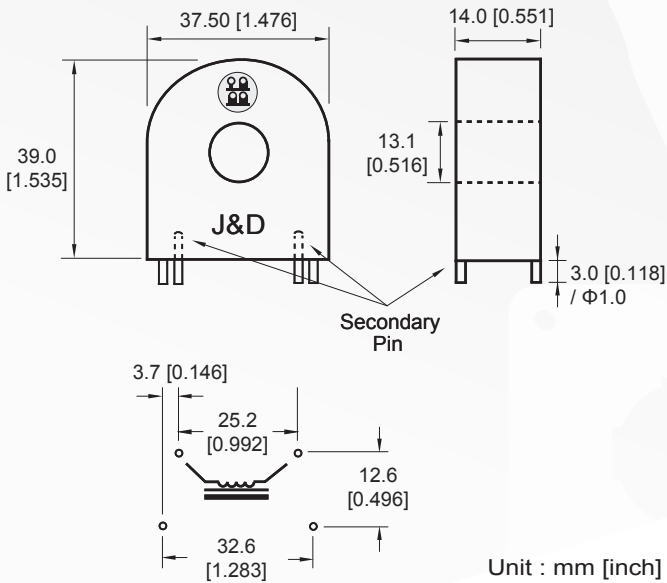


SOLID-CORE CURRENT TRANSFORMER

JDTN120V

DIMENSION

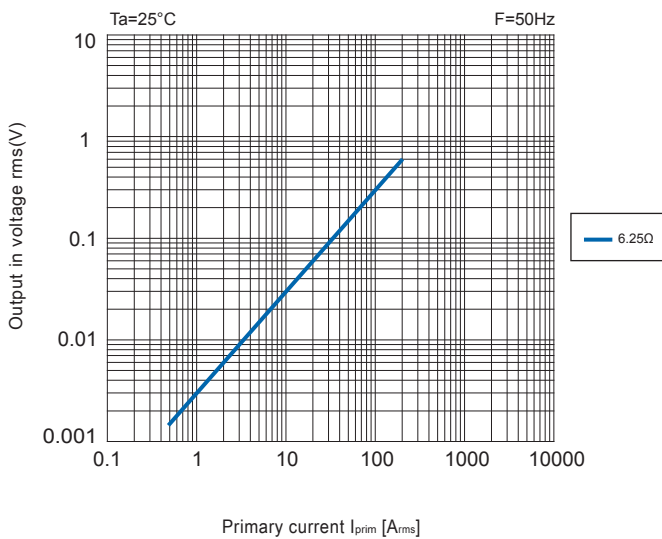


SPECIFICATION

Accuracy conforms to IEC 61869-2,
meets the measuring range from 1 to 120 % of I_n

Model	Primary Current Range		Error Phase $\varnothing(I)$ [°]	Turns Ratio	Characteristical Value				Terminal Structure	Inner Dia. \varnothing
	I_{max} [Arms]	I_{peak} [A0p]			L [H]	Rcu [Ω]	RB [Ω]	UB [Vrms]		
JDTN120V	120	120	3.83	1:2500	3.22	55	6.25	0.3	Pin	13

OUTPUT VOLTAGE DATA



GRAPH

