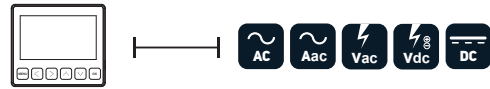


# PQ6300

## POWER QUALITY METER



The PQ6300 series is a multifunctional digital Power Quality Meter that measures power and energy to perform power quality analysis, alarm, and data logging in real time. It also displays measurement data on high definition LCD and supports various means of network communication.

It measures voltage and current with 0.2% accuracy and meets 0.5S class of IEC62053-22 for electric power. Therefore, it is possible to precisely analyze and diagnose various problems in energy management and power facilities. Additionally, it measures all measurement parameters using standard RS485 or Ethernet communication with an optional port. The PQ6300 can be equipped with optional modules on the back of the main body, which allows end-users to add extra functions they need at any time. Thanks to its flexible input-output configuration and user-friendly functions, it is the best solution to effectively monitor electric power and to control power distribution system.



CAUTION, RISK OF DANGER. DOCUMENTATION MUST BE CONSULTED IN ALL CASES WHERE THIS SYMBOL IS MARKED.



CAUTION, RISK OF ELECTRIC SHOCK.



PROTECTIVE CONDUCTOR TERMINAL.



ALTERNATING CURRENT / VOLTAGE.



# PQ6300

## POWER QUALITY METER

### CHARACTERISTICS

- True real-time power quality analysis and precise measurement
- Measurement element: phase & line voltage, current, frequency, power factor, Active / Reactive / Apparent Power, Voltage / Current unbalance, Active / Reactive / Apparent Energy, etc.
- 31st harmonic measurement
- A wide range of CT options - 10mA / 333mV / 100mA / 5A / Rogowski coil etc.
- Over / Under Limit Alarm
- Additional option modules - DI / DO / Ethernet / Temperature
- Display clear information on high-definition 4.3" TFT LCD
- Easy operation with large front panel touch keys
- Waveform Display Function
- 1 NTC port for temperature measurement
- Support RS485 serial communication and Ethernet communication (Option)
- Easy installation with clips and compliance with world standard of wall mounting.

### SPECIFICATIONS

Model		PQ6300
Power system		3P3W, 3P4W
Input Rating	Voltage	690VAC max (Line to Line)
	Frequency	50 / 60 Hz
	Current	10mA, 100mA, 5A
	Control Power	AC 85~264V, 50/60Hz, 0.55A
		DC 120~370V
NTC	25°C, 10kΩ ( $\beta(25/85)=3970^{\circ}\text{k}$ )	
Communication		Modbus RS485 / Ethernet Module (Optional)
Usage		Indoor use
Operating Temperature		-10°C to 55°C
Storage Temperature		-25°C to 70°C
Humidity		Maximum relative humidity 80% for temperatures up to 31°C decreasing linearly to 50% relative humidity at 40°C
Over voltage category		II for AC Mains CAT III for Measurement Terminals
Pollution degree		2
Short-term temporary		overvoltage: 1440V for AC Mains
Long-term temporary		overvoltage: 490V for AC Mains
Standards		IEC 62053-21/22

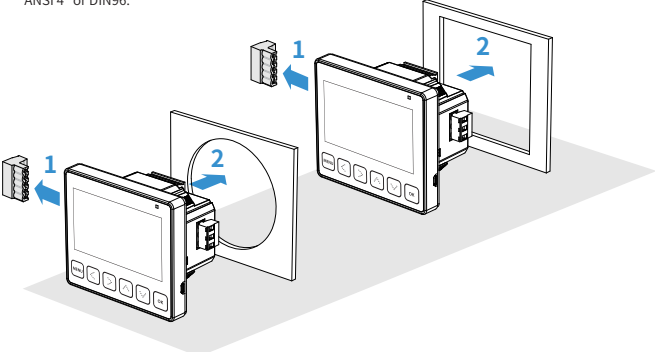
# PQ6300 POWER QUALITY METER



## INSTALLATION

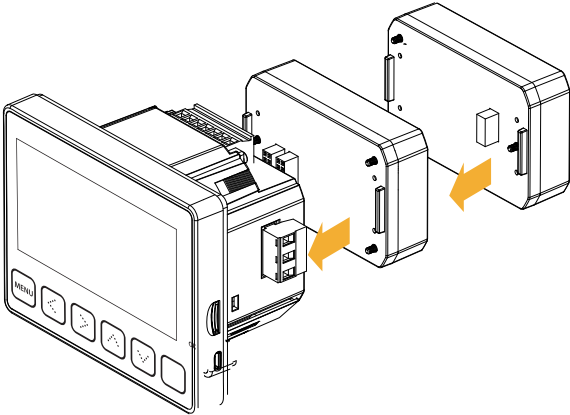
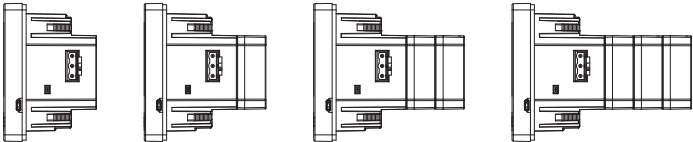
### STEP 1.

**Panel Mounting**  
The position of tightening screws diagonally is different according to the type of installation, ANSI 4" or DIN96.



### STEP 2.

**Add-on Modules**



## COMMUNICATION DIAGRAM

