



Panel Mounting

DIGITAL VOLTAGE SENSOR EVS30A-XXXX SERIES



Voltage transducer uses special Isolation Barrier technology to measure DC voltages with a DIN mounting case. The output signal can be standard RMS voltage or current. The primary input voltage and the output signal is highly electric isolated. It can be used in Power Utility, Converters, Traction, Telecom, Oil & Gas, and New energy fields.

>>>> Features

- DC voltage measurement
- Included primary resistor
- Good linearity
- Galvanic isolation between primary and secondary circuit
- Low power consumption
- High immunity to external interference
- Low thermal drift
- Higher voltage can measure than EVS30

>>>> Electrical characteristics

Primary nominal voltage (Vrms)	V_{PN}	50, 150, 250, 500, 800, 1000, 1500, 2000V
Primary voltage, measuring range (Vrms)	V_P	120% x V _{PN}
Secondary Current output	I_{SN}	DC0-20mA, DC4-20mA
Secondary Voltage output	V_{SN}	DC0-5V, DC0-10V
Accuracy (T _a =+25°C)	X_G	≤ 0.5%
Linearity error	ε_L	≤ 0.2%
Power supply voltage (± 5%)	V_C	24Vdc
Offset current (T _A = +25 °C)	I_o	≤80uA(for current output) or ≤50mV(for voltage output)
Response time	T_R	≤ 100mS
Frequency bandwidth	f	DC
Current consumption	I_c	≤50mA (for current output : + I _s)
Load resistance	R_L	≤450Ω(for current output) or >5KΩ(for voltage output)
Isolation test (50Hz,1min)	V_D	5kV

>>>> General data

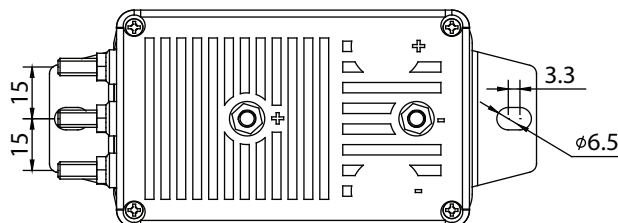
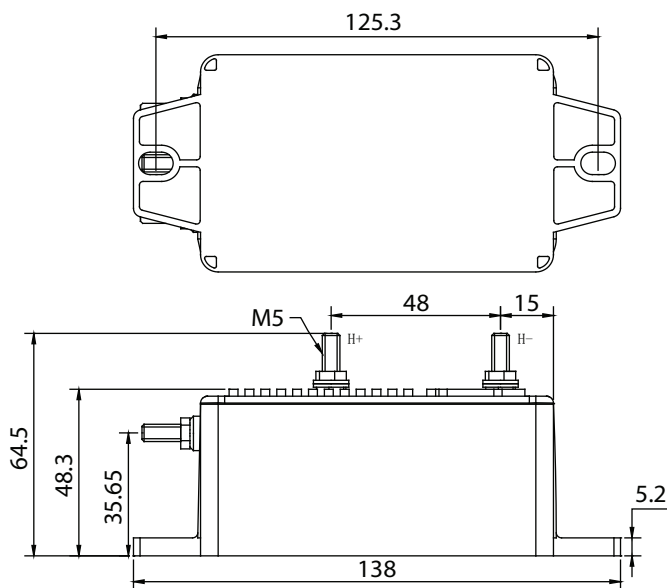
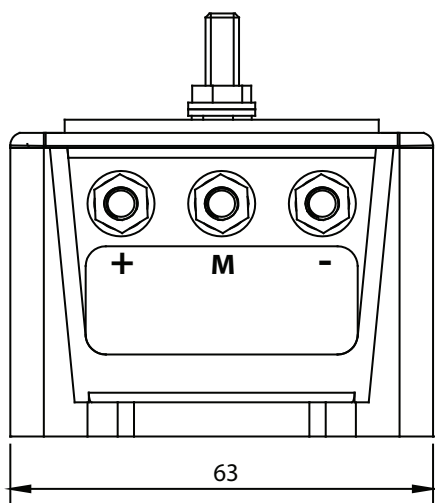
Ambient operating temperature	T_A	-25 °C... +85 °C
Ambient storage temperature	T_S	-40 °C... +85 °C
Mass	W	≐ 300g
Standards	S_T	EN50178
Ambient operating humidity	H_A	0-95% RH
Case material		According to UL94-V0

DIGITAL VOLTAGE SENSOR EVS30A-XXXX SERIES



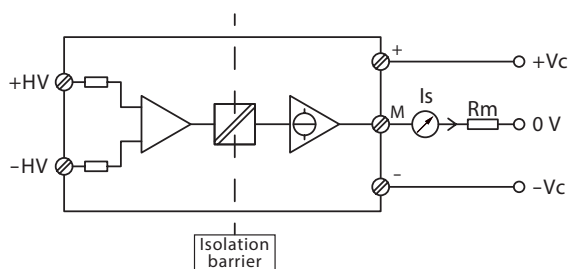
Panel Mounting

>>>> Dimensions (mm)



General tolerance	Terminals	Fastening
$\pm 1\text{mm}$	Input : 2 x M5 Output : 2 x M5	Bottom : 2 x $\text{\O}6.5(\text{mm})$ Side : 2 x $\text{\O}4.8(\text{mm})$

>>>> Connection diagram



>>>> Output figure

