

SPLIT-CORE CURRENT TRANSDUCER

JS36S-XXX-V

UL US E344623 CE RoHS2 COMPLIANT



Split-core current transducer for the electronic measurement of AC waveform currents, with galvanic isolation between the primary circuit (power) and the secondary circuit (measurement). 0-5V DC output proportional to the RMS value of the primary current.

APPLICATIONS

- Automation and Supervision
- Safety and Condition Monitoring
- HVAC & Pumps
- Refrigeration
- Small Industrial Motors
- Fans / Lighting

FEATURES

- Self-powered and loop-powered versions
- Operating range: -20°C to +60°C
- Isolation test voltage : 3kV RMS / 50Hz / 1min
- Sensing aperture : 36mm (for non-contact measurement)
- UL94-V0 recognized materials

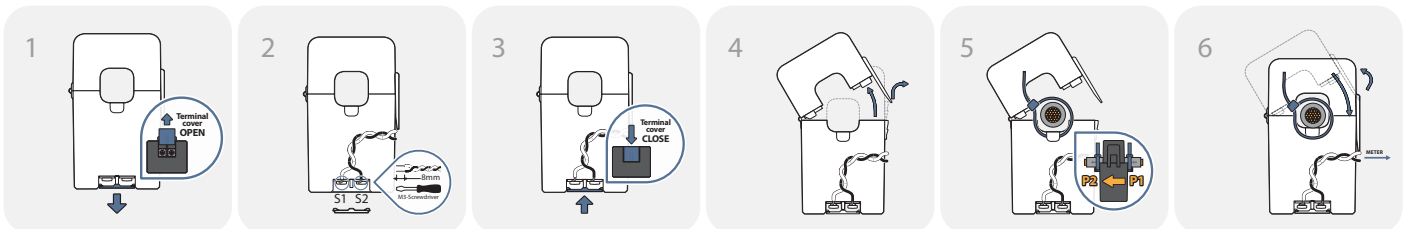
BENEFITS

- High isolation between primary and secondary circuits
- Compact case
- Cost-effective solution
- Easy installation



- Current transformer and RMS circuit in a single case
- Choice of primary current ranges: 400 - 500A RMS
- Choice of standard output types: 0-5V DC
- Accuracy: <2% of nominal primary current
- Bandwidth: 50/60 Hz

HOW TO USE



※ Please refer to “Split-core Current Transformer Installation Guide” for further details.

⚠ CAUTION: DANGER ⚠

- HAZARD OF ELECTRIC SHOCK, EXPLOSION, OR ARC FLASH
- In order to guarantee safe operation of the transducer, please read and understand the instructions thoroughly. For your reference, see NFPA 70E in the USA, or applicable local codes.
 - Certain parts of the module may carry hazardous live voltage when the transformers being operated (e.g. primary conductor, power supply).
 - This equipment must only be installed and put into operation by qualified electrical personnel or appropriately trained individual.
 - Before servicing the CTs, disconnect all sources of power and use a properly rated voltage sensing device to check if the power is off.
 - Make sure to install the transducer only on insulated conductors.
 - Do not depend on this product for voltage indication
 - Use the product in a Pollution Degree 2. A Pollution Degree 2 environment must control conductive pollution and the possibility of condensation or high humidity. Regard the enclosure, thermal properties of the equipment, the proper use of ventilation and the relationship in surroundings.

🔔 NOTICE

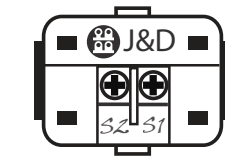
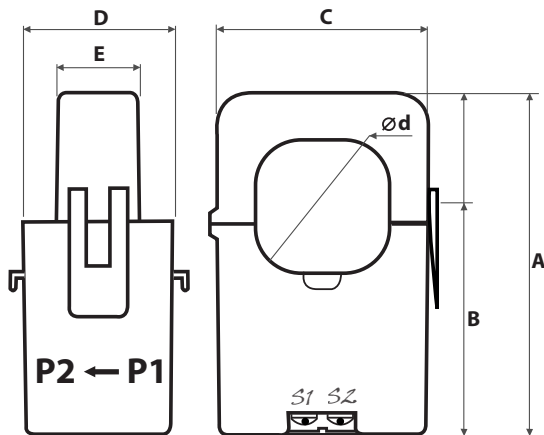
- If you impact the core contact surface, internal core material could be damaged.
- Core contact surface is waterproof, however if it gets rusty, you could reuse after removing rusts with spraying WD-40 or CRC5-56 on the rusted side.
- Do not use any other chemicals except WD-40 or CRC5-56 on housing or any other parts.
- Please use only the original output screws. Not recommended to replace it with anything else.
- Customizing output lead wire
- This product is not intentionally made for safety applications.
- The installer is responsible for conformance to all applicable codes.
- Ignoring the warnings could result in serious injury and/or cause damages.
- Do not install and use this transducer in hazardous or classified areas.
- If this product is used in a way not specified by the manufacturer, the protection offered by the product may be impaired.
- No responsibility is taken by J&D Electronics for any consequences arising by not following this material properly.

SPECIFICATION

(F=50/60Hz)

Model	JS36S-XXX-V / $\phi 36$
Current Range(Arms)	300,400,500
Max. Allowable Current	100%(Continuous), 150%(1 mim.)
Output	0~5V DC (Average)/0- Rated Current, 7.5V DC Limiter built-in
Accuracy / Linearity	$\pm 2\%$ FS. Dynamic Range 1:100(50/60Hz Sinewave)
Output Impedance	5.8 k Ω
Sensor Supply Voltage	Self-Powered
Response Time	300ms
Output Ripple Voltage	Within 5% of Output Voltage
Output Terminals	2 x M3-Screw, with Terminals cover
Insulation Category	CATIII
Operating Condition	-20°C~+50°C, $\leq 85\%$ RH, No condensation, In-house & Any direction installable
Storage Condition	-30°C~+90°C/ $\leq 85\%$ RH, No condensation

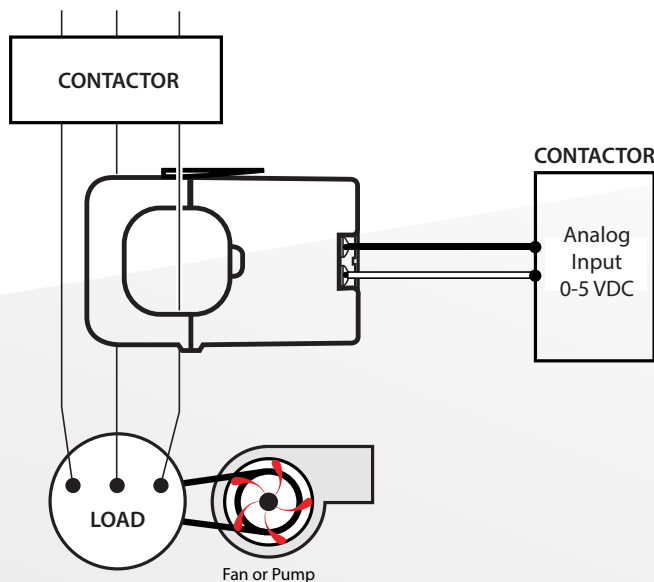
DIMENSIONS



Unit : mm

Model	A	B	C	D	E	ϕd
JS36S	91.4	57	57.1	40.2	21.1	36

APPLICATIONS



OUTPUT VOLTAGE DATA

