

CLAMP ON AC CURRENT PROBE JCP52-XXX-XXX Series

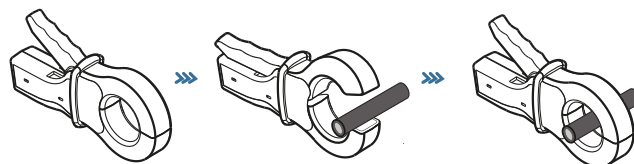


Clamp and compact, the AC/DC current probe model JCP52 is the ideal complement for any multimeter to measure AC/DC current in low-power with secondary, 0-5V 0-10V DC output. With its two ranges, it offers excellent resolution for measuring AC intensities from 1mA to 1000A and DC intensities from 100mA to 1200A.

APPLICATIONS

- Dual range
- Small compact size
- Measurement ranges of 1mA AC to 1200A AC
- Measurement ranges of 100mA DC to 1200A DC
- Designed to EN 61010, 600V CATIII safety standard.
- Double insulation
- CE mark

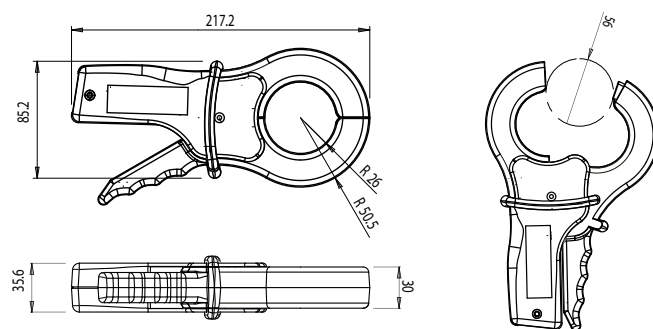
HOW TO USE



FEATURES

- Measuring in breaker panels
- Industrial loads
- HVAC
- Residential and commercial sites
- data logging/recording

DIMENSIONS



SPECIFICATION

Series	Inner Dia. Ø(mm)	Rated current(A)	Measuring Range	Power Supply Range & Type	Output
JCP52-AAC	Ø52	100/200/250/400/600/800/1000A	0.001~1200Arms	self powered	1A, 5A AC