

CLAMP ON AC CURRENT PROBE JCP21-XXX-XXX Series

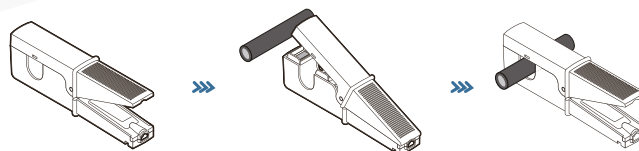


Clamp and compact, the AC/DC current probe model JCP21 is the ideal complement for any multimeter to measure AC current in low-power with secondary, 0-5V 0-10V DC output. With its two ranges, it offers excellent resolution for measuring AC intensities from 1mA to 300A and DC intensities from 100mA to 300A.

APPLICATIONS

- Dual range
- Small compact size
- Measurement ranges of 5mA AC to 200A AC
- Designed to EN 61010, 600V CATIII safety standard.
- Double insulation
- CE mark

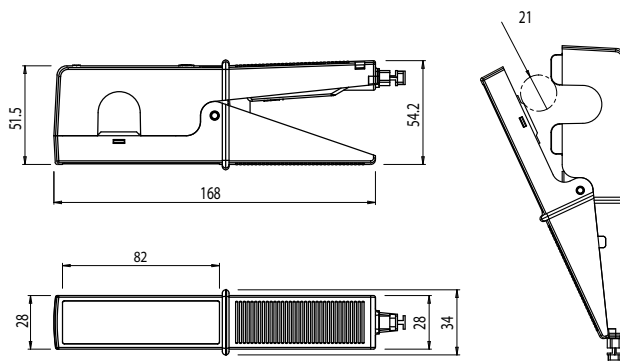
HOW TO USE



FEATURES

- Measuring in breaker panels
- Industrial loads
- HVAC
- Residential and commercial sites
- data logging/recording

DIMENSIONS



SPECIFICATION

Series	Inner Dia. Ø(mm)	Rated current(A)	Measuring Range	Power Supply Range & Type	Output
JCP21-VAC	Ø21	5/10/20/25/50/100/150/200/250A	0.001~300Arms	self power	333mV, 1V, 2V, 5V AC