

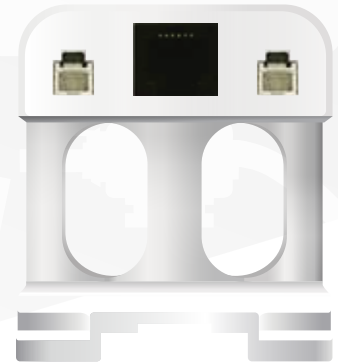
SOLID-CORE CURRENT TRANSFORMER

JCT050-XXX-100mA

JCT series of solid-core current transformer offers 100mA at secondary from sensed primary current. Without using secondary CT inside of meter, users directly connect JCT series to a meter for high accuracy metering application. It enables one meter to be adopted for various current rating by only changing primary CT so it makes compact design meter and reduces developing cost.

FEATURES

- Single Phase measuring current transformers.
- Ranges: 30 to 100A
- Cable aperture : 15.5 x 27mm
- RJ12 socket for use with our EASYMODULAR multi channel meters
- Panel / DIN Rail Mounting

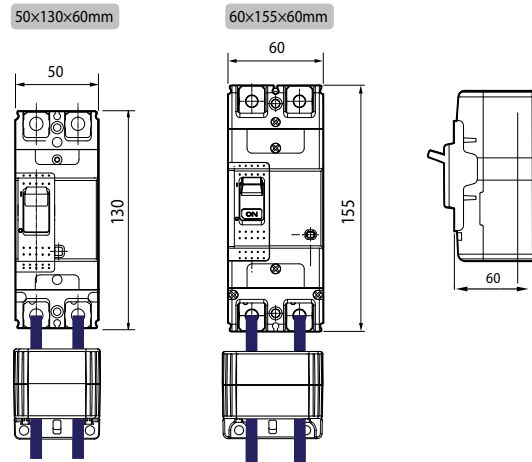
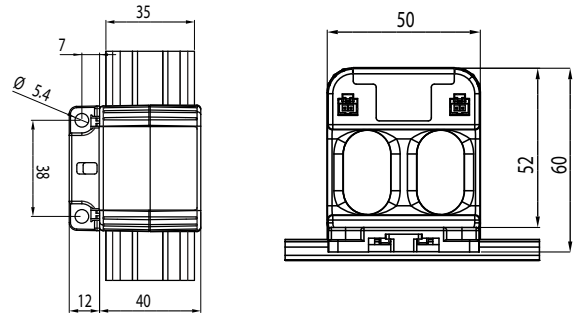


OUTPUT VOLTAGE DATA

How to Order / Model Reference				
eg JCT050-000/100mA				
JCT050				
Primary Current				
Select code from ratio table				
Secondary Voltage				
Secondary Current 100 mA				
Current Transformer Ratios				
Primary Current (A)	Metering Burden(VA)			Code
	cl. 0.2S	cl. 0.5S	cl. 1	
30			0.033	030
50			0.033	050
60		0.033		060
75	0.033			075
100	0.033			100
100mA Secondary				

Accuracy conforms to IEC 61869-2, meets the measuring range from 1 to 120 % of In

DIMENSIONS



⚠ CAUTION: DANGER ⚠

- HAZARD OF ELECTRIC SHOCK, EXPLOSION, OR ARC FLASH
- In order to guarantee safe operation of the transformer, please read and understand the instructions thoroughly. For your reference, see NFPA 70E in the USA, or applicable local codes.
 - This equipment must only be installed and put into operation by qualified electrical personnel or appropriately trained individual.
 - Before servicing the CTs, turn off all sources of power and use a properly rated voltage sensing device to check if the power is off.
 - Current transformer secondary must be shorted or connected to a burden all times.
 - Rearrange all covers and protective devices before powering the equipment.

🔔 NOTICE

- This product is not intentionally made for safety applications.
- Make sure not to install this transformer in hazardous or classified areas.
- The installer is responsible for conformance to all applicable codes.
- Ignoring the warnings can lead to serious injury and/or cause damages.
- If this product is used in a way not specified by the manufacturer, the protection offered by the product may be impaired. No responsibility is taken by J&D Electronics for any consequences arising by not following this material properly.