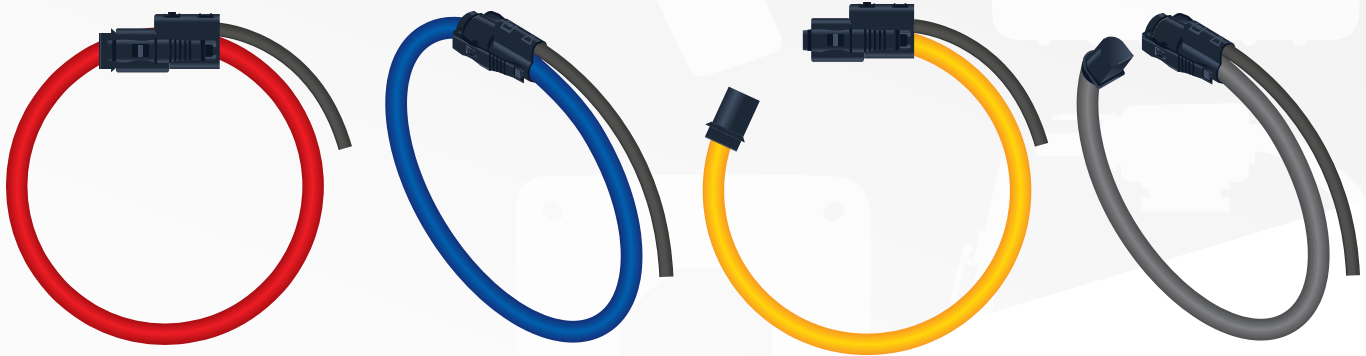


PRECISION CLAMP ON FLEXIBLE ROGOWSKI COIL CT JRFS-XXXS-M-XXX Series

UL US E344623 CE RoHS2 COMPLIANT IP 67



Clamp-on Flexible Rogowski coil Current Transformer has been designed for accurate measurement of wide AC current, pulsed DC or distorted waveforms. It may be used to measure AC current over a wide dynamic range and from 10Hz to 20kHz.



APPLICATIONS

- Very high current monitoring
- DC ripple measurement
- Harmonics and transients monitoring
- Power monitoring & control systems
- Applicable in electronic Watt-hour meter

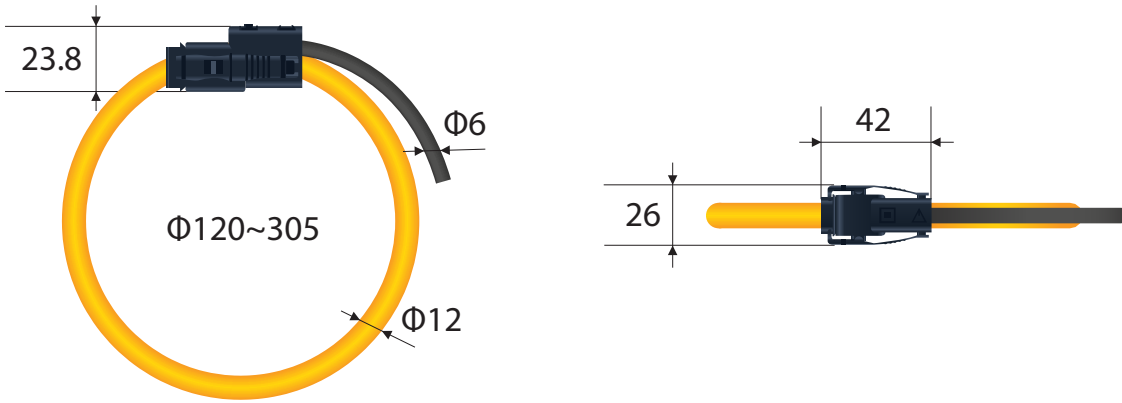
FEATURES

- AC current probe utility by the Rogowski principle
- Flexible and lightweight
- Easy & quick installation in uninterruptible power line
- Available shielding type on request
- No danger from open-circuited secondary
- High secondary output voltage & precise linearity error
- Isolated plastic case recognized according to UL94-V0

SPECIFICATION

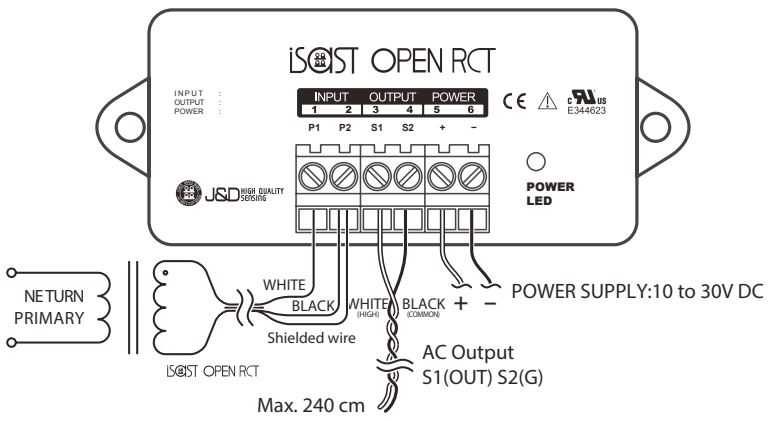
Model	JRFS-120S	JRFS-190S	JRFS-305S
Rated Current	500A ~ 2kA	1kA ~ 4kA	2kA ~ 6kA
Output Voltage	S Type	333mV(50Hz) [399.6mV(60Hz)] 1kA	
Accuracy	< 1%		
Phase Shift	< 1° at 50/60Hz (typical < 0.5°)		
Frequency Range	10Hz to 20kHz		
Output Sensitivity Tolerance	±10% maximum(Uncalibrated)		
Output Sensitivity Tolerance	±0.5% of reading at 25°C (Calibrated)		
Linearity (10% to 100% of range)	±0.2% of reading		
Conductor Position Sensitivity	±2% maximum		
Influence of External Field	±2% maximum		
Working Temp.	-30°C ~ + 60°C		
Storage Temp.	-40°C ~ + 60°C		
Insulation Category	CATIII 1000V / CATIV 600V (PD2-Double Insulation)		
Safety Standards	EN/UL/cUL 61010-1, 61010-2-032		
Testing Voltage	7400V/1min		

DIMENSIONS



OPTION : INTEGRATOR M-XXX SERIES

* Diagnostic green LED to check power supply function



M Type 333mVAC