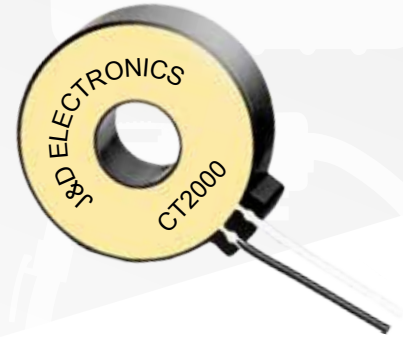
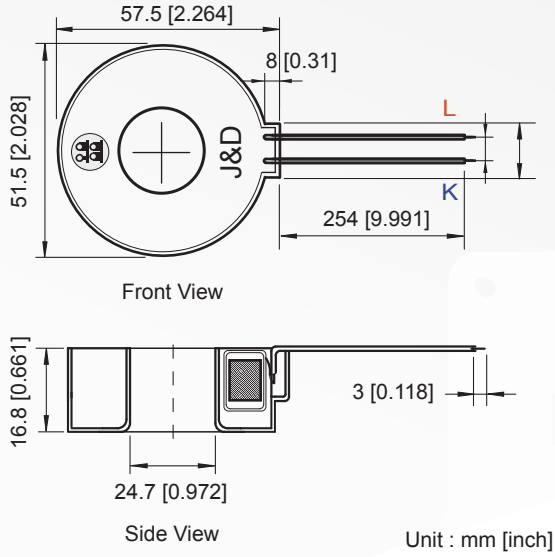


# SOLID-CORE CURRENT TRANSFORMER CT2000

## DIMENSION



## SPECIFICATION

Accuracy conforms to IEC 60044-1,  
meets the measuring range from 1 to 120 % of  $I_n$

Series	Inner Dia. $\emptyset$	Turns Ratio	Current Range	Winding Resistance	Burden Resistance
<b>CT2000</b>	24.7	1:1000	100mA~330A	$87\Omega \pm 10\%$	10 $\Omega$

## OUTPUT VOLTAGE DATA

