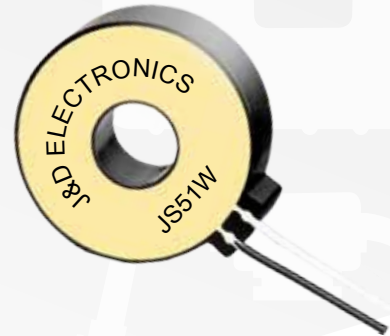
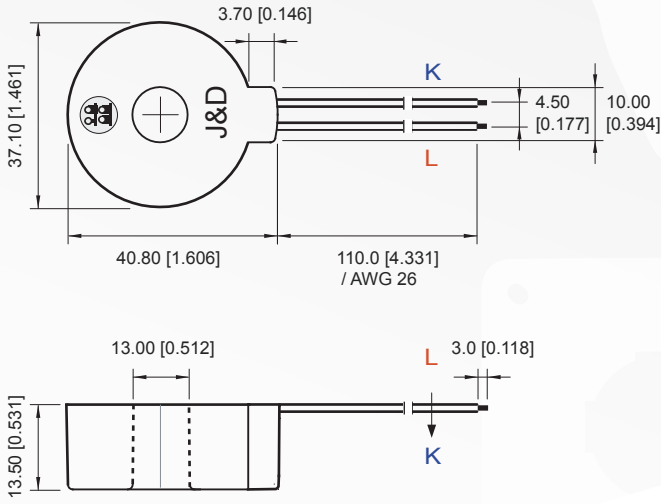


SOLID-CORE CURRENT TRANSFORMER JS51W

DIMENSION



Unit : mm [inch]

SPECIFICATION

Accuracy conforms to IEC 60044-1,
meets the measuring range from 1 to 120 % of I_n

| Series | Inner Dia. \emptyset | Turns Ratio | Current Range | Winding Resistance | Burden Resistance |
|--------|------------------------|-------------|---------------|---------------------|-------------------|
| JS51W | 13 | 1:1000 | 100mA~200A | $40\Omega \pm 10\%$ | 10 Ω |

OUTPUT VOLTAGE DATA

