

# MULTI-GEM 12

## CHARACTERISTICS

- Multi channel power meter (Multi-GEM 12) is able to measure and monitor multi electric power loads.
- Max 12 single phase or 4 3P4W feeders power monitoring
- Measurement : V (L-N, L-L) , A, Hz, PF, Unbalance, Power(P,Q,S), Energy (P,Q,S).
- 1.0/0.5 Class accuracy for power measurement conformed by IEC61557-12
- Flexible application for the single phase/ 3phase 4wire / 3phase 3wire power line.
- Sag/Swell
- Total Harmonics Distortion (THD)
- Support Ethernet (Modbus TCP) and Wi-Fi (Option)
- Support Cloud energy platform.
- Compact size for easy installation in narrow space (62 x 96 x 56 mm)
- Strong structure against dust using the removable top cover

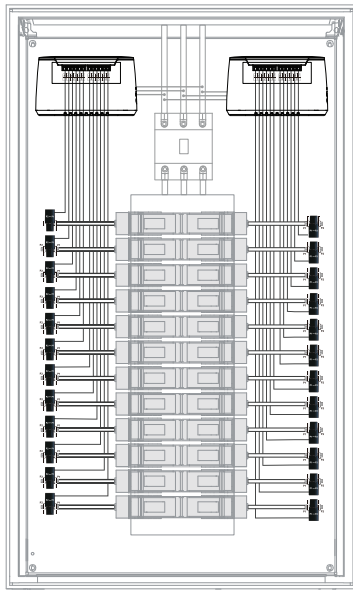
## SPECIFICATIONS

Model		Multi-GEM12
Power system		3P3W, 3P4W, 1P2W, 1P3W
Power Input		100-240VAC/DC (85-110%, Free Voltage)
Measuring Inputs Rating	Voltage	Voltage: Up to 415VAC (L-L). Max 240VA (L-N) Current: 50-600A/ch. Max 3,000A/ch
	Frequency	45-65Hz
	CT type	100mA or 333mV
Communication		Ethernet Wi-Fi (Option)
Usage		Indoor
Altitude up to		2,000 m
Operating Temperature		-10°C~55°C
Storage Temp.		-25°C~70°C
Humidity		30-85% R.H (non-condensation)
Standards		IEC 62053-21/22

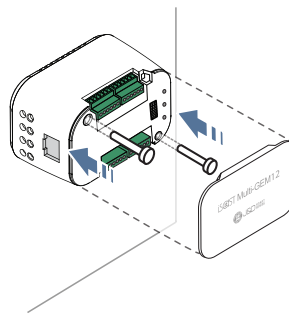
# BRANCH CIRCUIT POWER METER



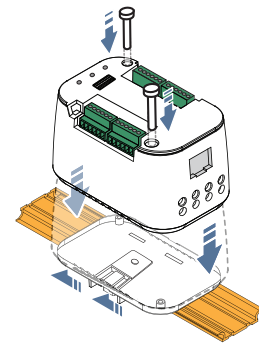
## INSTALLATION



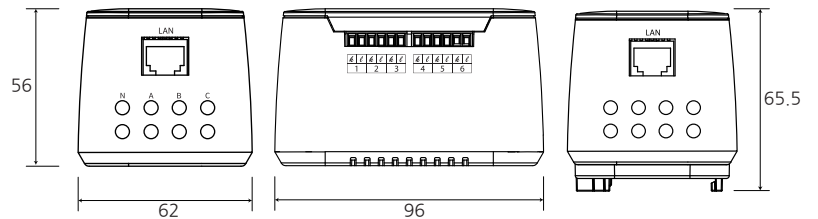
◆ Wall mount



◆ Mounting on Din rail

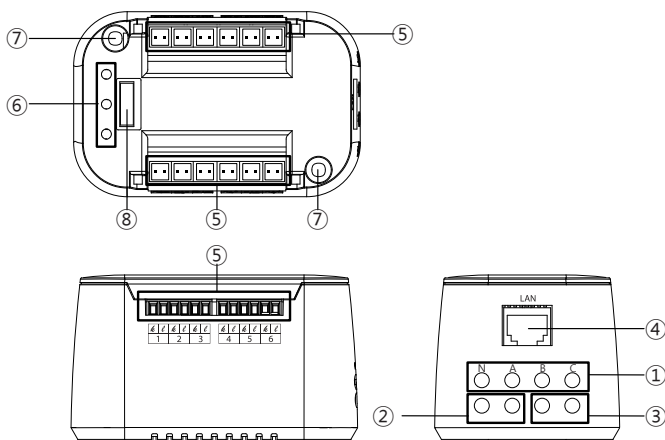


◆ Dimension



Item	Condition
Location	Indoor
Operation temp,	-10°C to 55°C [14°F to 122°F]
Storage temp,	-25°C to 70°C [-13°F to 158°F]
Operation humidity	Non condensation, 5% R.H. to 80% R.H.

## NAME OF PARTS



No.	Name	Description
1	Screw fixing holes	Screw holes for fixed terminals
2	Control Power	Supply the control power to the gems 3512 (AC/DC 100~240V), Wire Size : 12 ~ 24AWG N : Neutral (AC), -(DC) connection, A : Line (AC), +(DC) connection
3	Voltage Input	Voltage input terminal for measurement, Wire Size : 12 ~ 24AWG
4	Ethernet Port	Communication with Master (Modbus Slave) Protocol : Modbus TCP/IP Speed : 10/100 Mbps Automatic selection
5	CT Port	CT Input Terminal
6	Wall mount	Bolt spec : D = 4mm
7	Upgrade Port	Upgrade Port

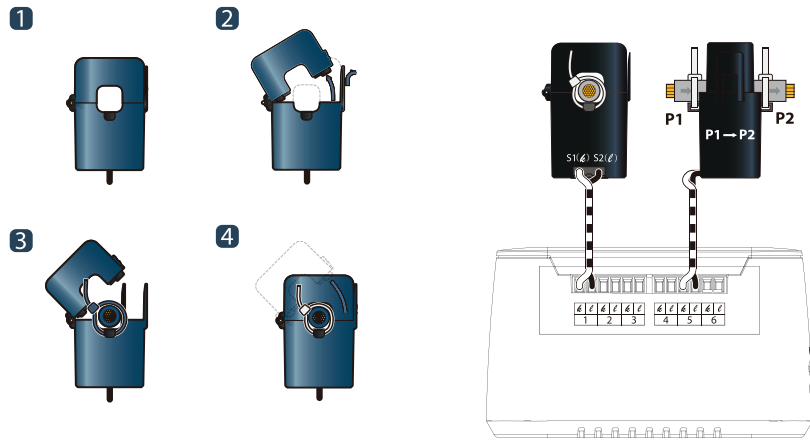
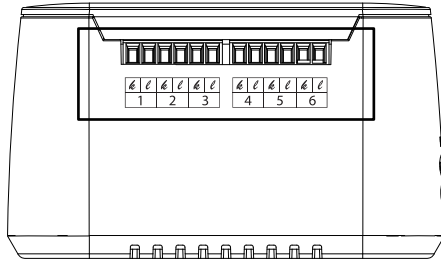
# BRANCH CIRCUIT POWER METER



## CT INPUT TERMINAL

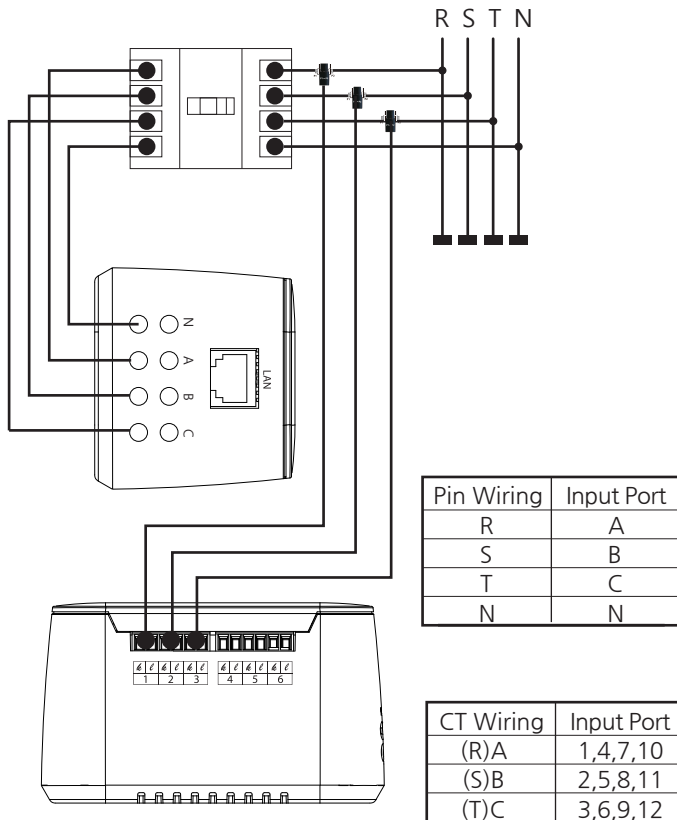
◆ Example of CT wiring

How to use >>>



## TYPICAL WIRING

◆ Wiring of 3Phase 4Wire system



◆ Wiring of 3Phase 3Wire system

