

CLOSED-LOOP CURRENT SENSOR

JPC-200X

Panel
Mounting

For the electronic measurement of currents :
AC/DC current sensor, JPC series has good stability in high currents and a highly insulated primary and secondary.



>>>> Advantages

- Low temperature drift
- Optimized response time
- Wide frequency bandwidth
- No insertion losses
- High immunity to external interference
- Current overload capability.
- Excellent accuracy
- Very good linearity

>>>> Applications

- AC variable speed drives and servo motor drives
- Static converters for DC motor drives
- Battery supplied applications
- Uninterruptible Power Supplies (UPS)
- Switched Mode Power Supplies (SMPS)
- Power supplies for welding applications.

>>>> Features

- Closed loop (compensated) current transducer using the Hall effect
- Insulated plastic case recognized according to UL 94-V0
- Panel mounting

>>>> Specification

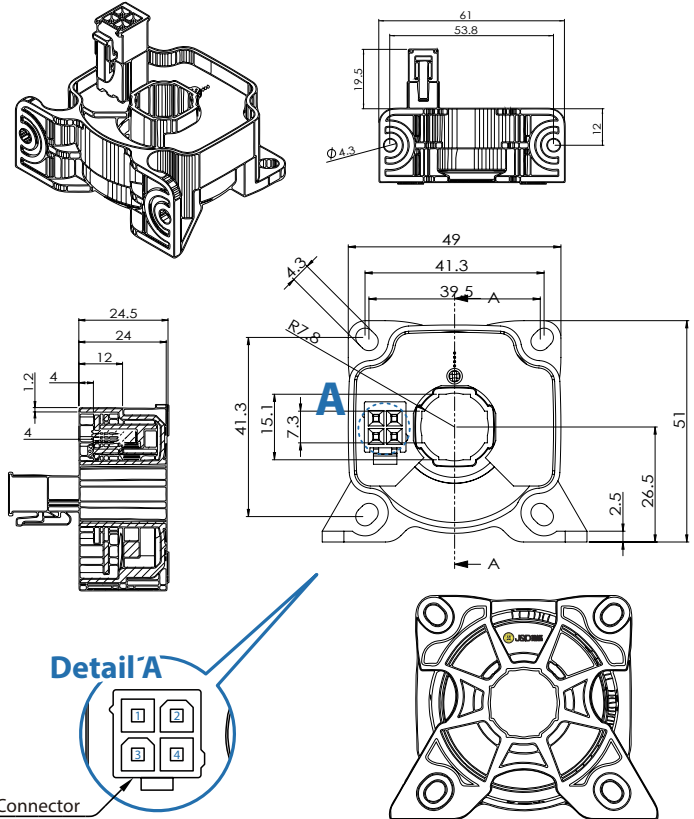
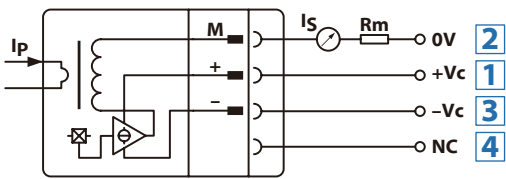
MODEL		JPC-200F		JPC-200T	
SPEC					
Connector	-	39-28-8040[5566-04A-210] Molex		38-00-6293[6410-03C(102)] Molex	
Primary nominal current rms	A	200			
Primary current, measuring range	A	0 .. ± 420			
Measuring resistance	Ω	± 12V	@ ± 200A	Ta=70°C : 0 ~ 71	Ta=85°C : 0 ~ 69
			@ ± 420A	Ta=70°C : 0 ~ 14	Ta=85°C : 0 ~ 12
	± 15V	@ ± 200A	Ta=70°C : 0 ~ 100	Ta=85°C : 23 ~ 98	
		@ ± 420A	Ta=70°C : 0 ~ 28	Ta=85°C : 23 ~ 26	
Secondary nominal current rms	mA	100			
Conversion ratio	-	1 : 2000			
Supply voltage (+ 5 %)	V	± 12 .. 15			
Current consumption @ ± 15 V	mA	17 + I _S			
Overall accuracy	%	± 0.5			
Linearity error	%	< 0.1			
Offset current	mA	Max. ± 0.2			
Magnetic offset current	mA	Max. ± 0.1 (@ I _P = 0 and specified R _M , after an overload of 3 x I _{PN})			
Insulation voltage	V _D	AC 3500V / 1 min.			
Temperature variation	mA	Typ. ± 0.12 , Max. ± 0.4 (-45°C...+85°C)			
Reaction time to 10 % of I_{PN} step	ns	< 500			
Reaction time to 90 % of I_{PN} step	μs	< 1 (With a di/dt of 100 A/μs.)			
di/dt accurately followed	A/μs	> 100			
Frequency bandwidth (- 3 dB)	kHz	DC .. 100			
Ambient Operating temperature	°C	- 40 .. + 85			
Ambient storage temperature	°C	- 40 .. + 90			
Secondary coil resistance	Ω	33 (@Ta=70°C) / 35 (@Ta=85°C)			
Mass	g	78			
Standards	-	EN 50178: 1997 / IEC 61010-1			

CLOSED-LOOP CURRENT SENSOR JPC-200X

Panel
Mounting

>>>> Dimensions(mm)

JPC-200F

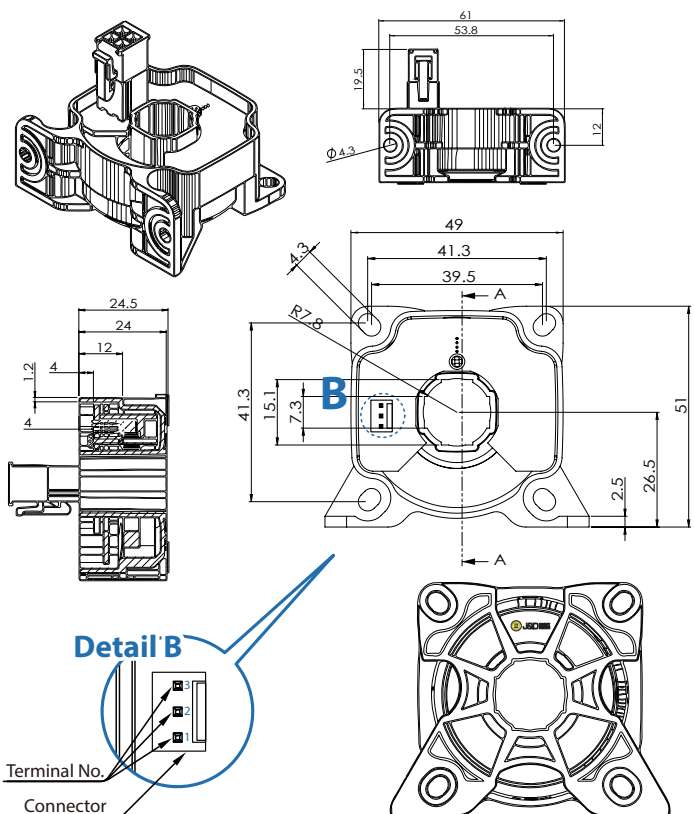
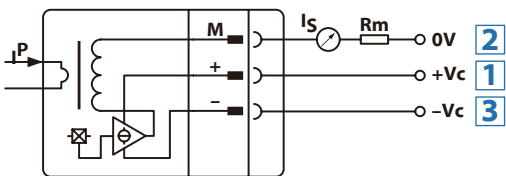


Connector

Manufacturer	Part Number	Old Part Number
Molex	39-28-8040	5566-04A-210

- Primary through-hole Ø 15.5 mm

JPC-200T



Connector

Manufacturer	Part Number	Old Part Number
Molex	38-00-6293	6410-03C (102)

- Primary through-hole Ø 15.5 mm