

CLAMP ON AC CURRENT PROBE JCP15-XXX-XXX Series

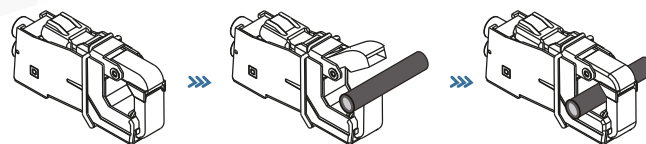


Clamp and compact, the AC current probe model JCP15 is the ideal complement for any multimeter to measure AC current in low-power for industrial applications. It offers excellent resolution for measuring AC intensities from 5mA to 100A.

APPLICATIONS

- Dual range
- Small compact size
- Measurement ranges of 5mA AC to 200A AC
- Designed to EN 61010, 600V CATIII safety standard.
- Double insulation
- CE mark

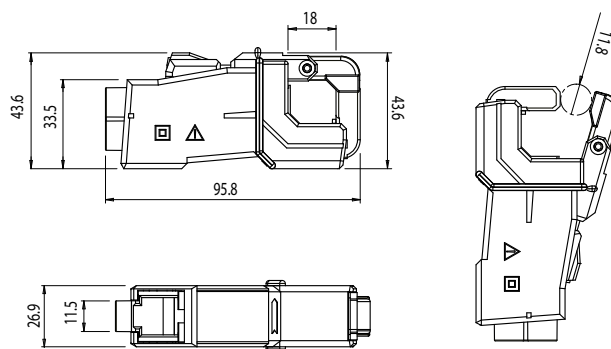
HOW TO USE



FEATURES

- Measuring in breaker panels
- Industrial loads
- HVAC
- Residential and commercial sites
- data logging/recording

DIMENSIONS



SPECIFICATION

Series	Inner Dia. Ø(mm)	Rated current(A)	Measuring Range	Power Supply Range & Type	Output
JCP15-1k	Ø15	5/10/20/25/50/100/200A	0.005~200Arms	self power	INSTANTANEOUS CURRENT AC
JCP15-1.5k	Ø15	5/10/20/25/50/100/200A	0.005~200Arms	self power	INSTANTANEOUS CURRENT AC
JCP15-2k	Ø15	5/10/20/25/50/100/200A	0.005~200Arms	self power	INSTANTANEOUS CURRENT AC
JCP15-2.5k	Ø15	5/10/20/25/50/100/200A	0.005~200Arms	self power	INSTANTANEOUS CURRENT AC
JCP15-3k	Ø15	5/10/20/25/50/100/200A	0.005~200Arms	self power	INSTANTANEOUS CURRENT AC