

SPLIT-CORE CURRENT TRANSFORMER

JC10FL-XXX-XXXmA series

UL US E344623 CE RoHS2 COMPLIANT



The split-core current transformer design is used for energy efficiency monitoring and automation applications. This includes sub-metering cost allocation, dynamic energy consumption and peak load analysis. The JC series of current transformer is simple to use, compact split-core design which is easily installed for metering applications. This is ideal for distributed measurement systems and can be retro-fitted into existing installations and non-interruptible equipment as there is no requirement for disconnection and reconnection of wiring.

APPLICATIONS

- Energy sub - meter
- Power meters
- Power quality monitoring
- HVAC&Pumps, etc
- Distributed measurement system

BENEFITS

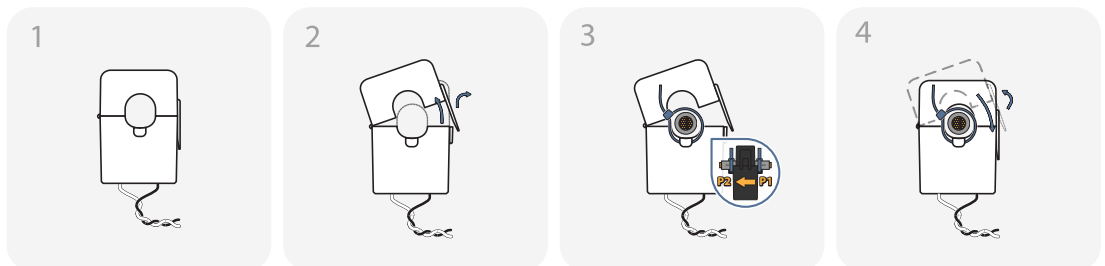
- Small-size, light-weight
- Simple Installation
- Over-Voltage protection circuit is installed.

FEATURES

- Nylon-spring, secure locking hinge, one-touch structure makes easy to install to the existent equipments such as a power distribution boards.
- Isolated plastic case recognized according to UL94-V0
- UL / EN 61010 -1 certified



HOW TO USE



※ Please refer to "Split-core Current Transformer Installation Guide" for further details.

⚠ CAUTION: DANGER ⚠

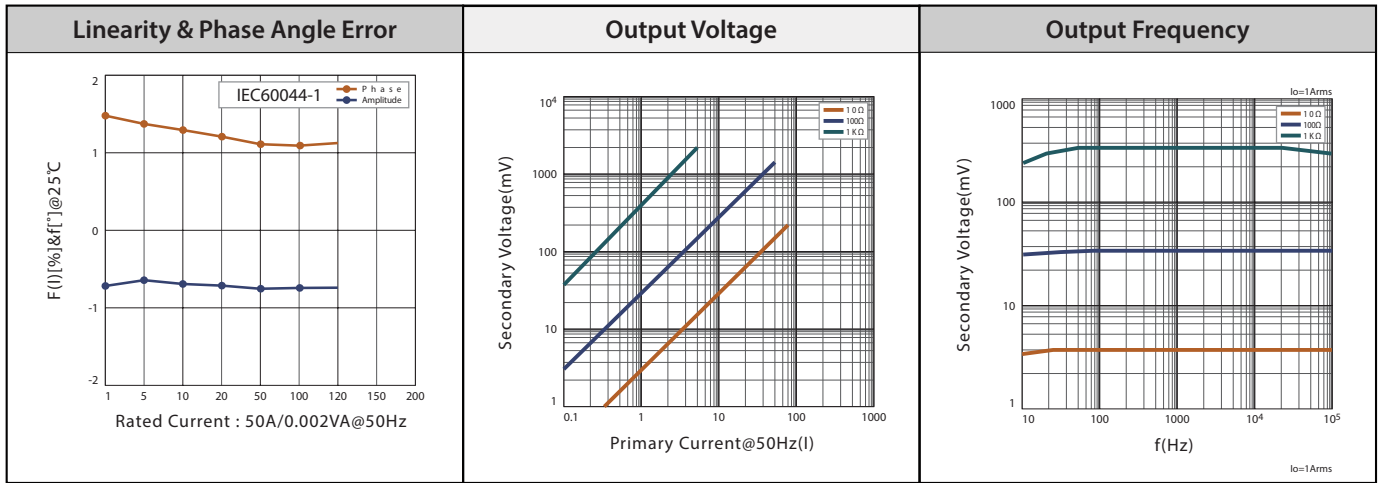
HAZARD OF ELECTRIC SHOCK, EXPLOSION, OR ARC FLASH

- In order to guarantee safe operation of the transformer, please read and understand the instructions thoroughly. For your reference, see NFPA 70E in the USA, or applicable local codes.
- Before servicing the CTs, turn off all sources of power and use a properly rated voltage sensing device to check if the power is off.
- Current transformer secondary must be shorted or connected to a burden all times.
- The transformer (split core type) must not be operated when it is not fully closed or the installation is not completed.
- Rearrange all covers and protective devices before powering the equipment.
- A qualified person is the one who is skilled and has knowledge about the construction and operation of this electrical equipment, and has received safety training to recognize and avoid the hazards involved. (NEC2011 Article 100)

🔔 NOTICE

- If you impact the core contact surface, internal core material could be damaged.
- Customizing output lead wire
- This product is not intentionally made for safety applications.
- Make sure not to install this transformer in hazardous or classified areas.
- The installer is responsible for conformance to all applicable codes.
- Ignoring the warnings can lead to serious injury and/or cause damages.
- If this product is used in a way not specified by the manufacturer, the protection offered by the product may be impaired. No responsibility is taken by J&D Electronics for any consequences arising by not following this material properly.

■ ACCURACY DATA

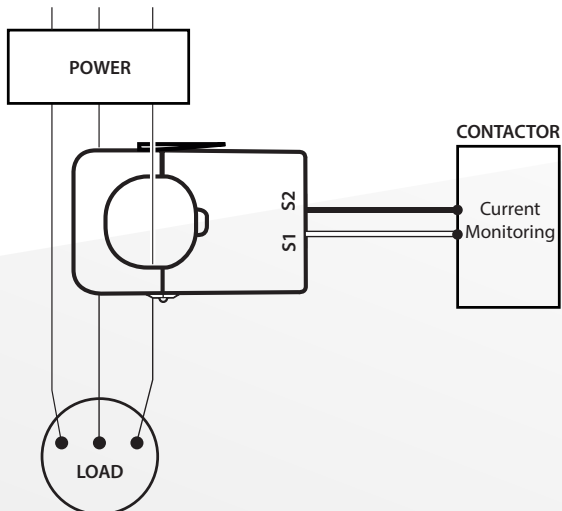


■ SPECIFICATION

(F=50/60Hz)

Model	JC10FL Ø10
Current Ratio	50A/16.6mA
Current Range	0.1~80A (RL=10Ω)
Max. Continuous Current	120A
Nominal Phase Angle Error	+1.5±1°
Nominal Linearity Error	-1±1%
Turns Ratio	3000:1
DCR	420±30Ω
Protection Level	7.5V0-P
Insulation Category	CAT III
Operating Condition	-20°C~+50°C, ≤85%RH, No condensation, In-house & Any direction installable
Storage Condition	-30°C~+90°C, ≤85%RH, No condensation

■ APPLICATIONS



■ DIMENSIONS

