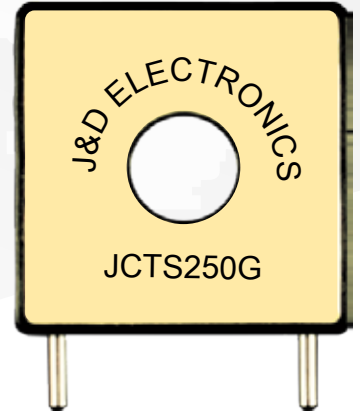
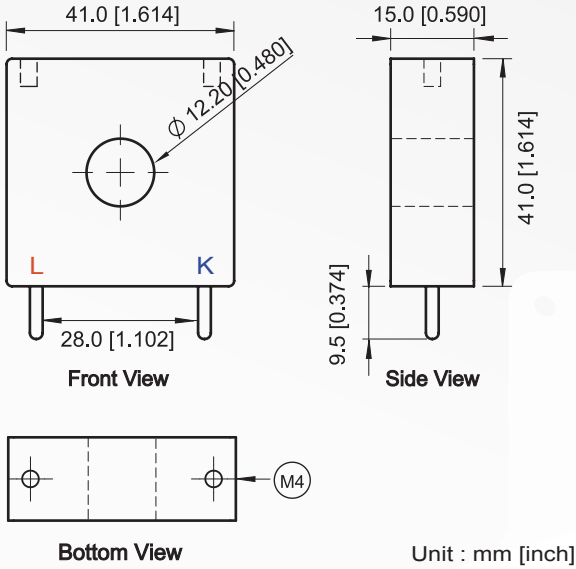


SOLID-CORE CURRENT TRANSFORMER

JCTS250G

DIMENSION



SPECIFICATION

Accuracy conforms to IEC 61869-2, meets the measuring range from 1 to 120 % of I_n

| Model | Primary Current Range | | Error | Turns Ratio | Characteristical Value | | | | | Terminal Structure | Inner Dia. ϕ |
|-----------------|-----------------------|-------------|---------------------|-------------|------------------------|-------|---------|--------|-----------|--------------------|-------------------|
| | Rated Current | Max Current | Phase $\phi(I)$ [°] | | I_{max} [Arms] | L [H] | Rcu [Ω] | RB [Ω] | UB [Vrms] | | |
| JCTS250G | 100/200 | 250 | 0.13 | 1:2500 | 100 | 110 | 74 | 5 | 0.20 | Pin | 12.2 |

OUTPUT VOLTAGE DATA

