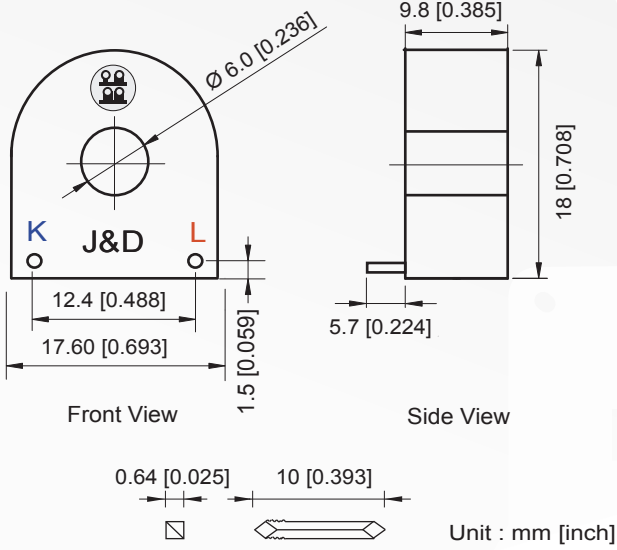


# SOLID-CORE CURRENT TRANSFORMER JL13

## DIMENSION



## SPECIFICATION

Accuracy conforms to IEC 61869-2,  
meets the measuring range from 1 to 120 % of  $I_n$

Model	Primary Current Range		Error	Turns Ratio	Characteristical Value					Terminal Structure	Inner Dia. $\varnothing$
	Rated Current	Max Current	Phase $\varnothing(I)[^\circ]$		$I_{max}$ [Arms]	L [H]	Rcu [ $\Omega$ ]	RB [ $\Omega$ ]	UB [Vrms]		
<b>JL13</b>	5	15	0.91	1:1300	5	22	100	8	0.03	Pin	6

## OUTPUT VOLTAGE DATA

