

# SPLIT-CORE CURRENT TRANSFORMER

## JS21L-XXX-100mA



The JSXXL series Water proof Split Core Current Transformers are designed for assembly to an existing electrical installation without the need for dismantling the primary bus or cables. These current transformers are a water proof design suitable for use outdoor or in direct burial applications

### APPLICATIONS

- Energy sub - meter
- Power meters
- Power quality monitoring
- HVAC&Pumps, etc
- Distributed measurement system

### BENEFITS

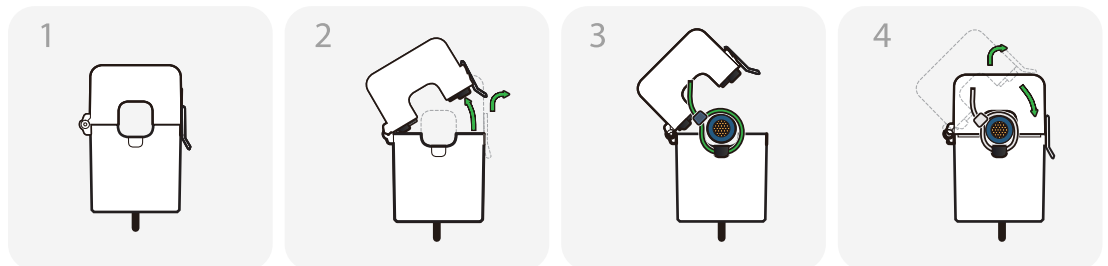
- Small-size, light-weight
- Simple Installation
- Over-Voltage protection circuit is installed.

### FEATURES

- The mating surfaces of the transformer cores are protected by a rubber gasket.
- The transformer cases are UV stabilized thermoplastic.
- Water proof (IP67 or IP65 Option)



### HOW TO USE



※ Please refer to "Split-core Current Transformer Installation Guide" for further details.

## ⚠ CAUTION: DANGER ⚠

HAZARD OF ELECTRIC SHOCK, EXPLOSION, OR ARC FLASH

- In order to guarantee safe operation of the transformer, please read and understand the instructions thoroughly. For your reference, see NFPA 70E in the USA, or applicable local codes.
- Before servicing the CTs, turn off all sources of power and use a properly rated voltage sensing device to check if the power is off.
- Current transformer secondary must be shorted or connected to a burden all times.
- The transformer (split core type) must not be operated when it is not fully closed or the installation is not completed.
- Rearrange all covers and protective devices before powering the equipment.
- A qualified person is the one who is skilled and has knowledge about the construction and operation of this electrical equipment, and has received safety training to recognize and avoid the hazards involved. (NEC2011 Article 100)

## 🔔 NOTICE

- Core contact surface is waterproofed, however if it gets rusty, you could reuse after removing rusts with spraying WD-40 or CRC5-56 on the rusted side.
- Do not use any other chemicals except WD-40 or CRC5-56 on housing or any other parts.
- Customizing output lead wire
- This product is not intentionally made for safety applications.
- Make sure not to install this transformer in hazardous or classified areas.
- The installer is responsible for conformance to all applicable codes.
- Ignoring the warnings can lead to serious injury and/or cause damages.
- If this product is used in a way not specified by the manufacturer, the protection offered by the product may be impaired. No responsibility is taken by J&D Electronics for any consequences arising by not following this material properly.

## SPECIFICATION

(F=50/60Hz)

Accuracy	Class 1.0
Output Terminals	Twisted pair, 18AWG cable
System Voltage	720V(0.72kV)
Overload withstand	1.2 times rated current continuously
Compliant with	IEC/EN61869-2 & IEC61010-1
Operating Temperature Range	-20°C to 55°C
Relative Humidity	0-85% non-condensing
Test Voltage	3kV for 1minute
Frequency Range	50/60Hz
Protection Level	Bipolar 6.5Vp
Insulation Category	CATIV 300VAC

## CURRENT TRANSFORMER RATIOS

### How to Order / Model Reference

eg **J S 2 1 L - 0 0 0 / 1 0 0 mA**

Model **J S 2 1 L**

Primary Current

Select code from ratio table

Secondary Current

100mA

**1 0 0 mA**

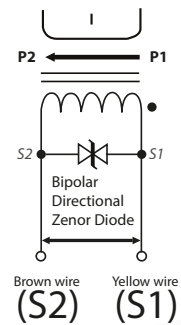
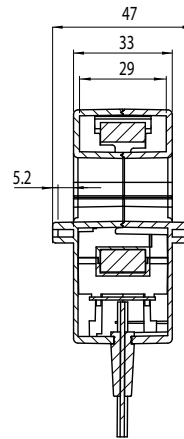
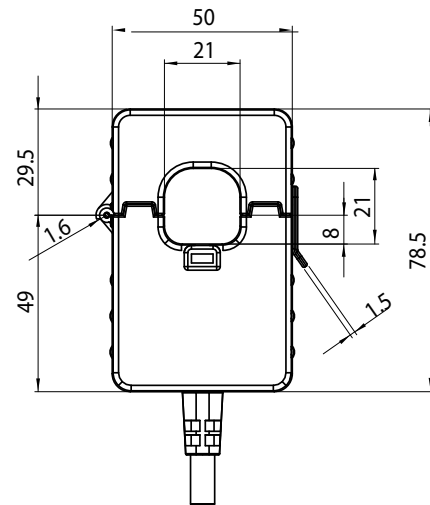
### Current Transformer Ratios

Primary Current (A)	Metering Burden(VA)				Code
	cl. 0.2S	cl. 0.5S	cl. 1		
	cl. 0.3	cl. 0.6	cl. 1.2		
100			0.05		100
125			0.05		125
150			0.05		150
200			0.05		200
250			0.05		250
300			0.05		300

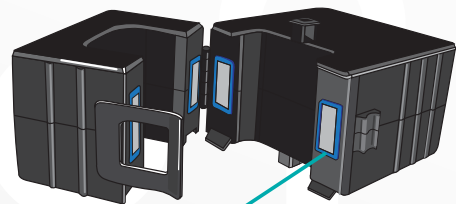
100mA Secondary

Accuracy conforms to IEC61869-2 & IEEE/ANSI C57.13 meets the measuring range from 1 to 120% of In

## DIMENSIONS



IP67



Adding perfect Gasket for preventing core erosion