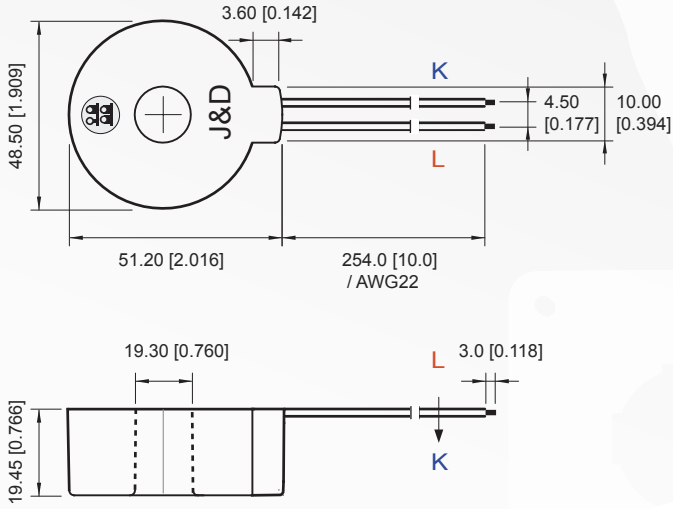
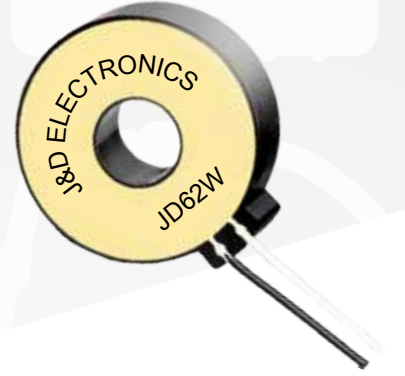


# SOLID-CORE CURRENT TRANSFORMER JD62W

## DIMENSION



Unit : mm [inch]



## SPECIFICATION

Accuracy conforms to IEC 61869-2,  
meets the measuring range from 1 to 120 % of  $I_n$

| Model        | Primary Current Range |             | Error                        | Turns Ratio | Characteristical Value |       |                  |                 |           | Terminal Structure | Inner Dia. $\emptyset$ |
|--------------|-----------------------|-------------|------------------------------|-------------|------------------------|-------|------------------|-----------------|-----------|--------------------|------------------------|
|              | Rated Current         | Max Current | Phase $\emptyset(I)[^\circ]$ |             | $I_{max}$ [Arms]       | L [H] | Rcu [ $\Omega$ ] | RB [ $\Omega$ ] | UB [Vrms] |                    |                        |
| <b>JD62W</b> | 200/250               | 480         | 0.14                         | 1:2000      | 200                    | 69    | 48               | 5               | 0.50      | Wire               | 19.3                   |

## OUTPUT VOLTAGE DATA

