

SPLIT-CORE CURRENT TRANSFORMER

JS36SL-XXX/XXXmA series

UL US E344623 CE RoHS2 COMPLIANT



JS series of split-core current transformer offers XXXmA at secondary from sensed primary current for metering application. Without using secondary CT inside of meter, it enables one meter to be adopted for various current rating by only changing primary CT so it makes compact meter design and reduces developing cost. Also, over-voltage protection circuit is included to offer safe, fast and cost effective installation.

APPLICATIONS

- Energy sub - meter
- Power meters
- Power quality monitoring
- HVAC&Pumps, etc
- Distributed measurement system

BENEFITS

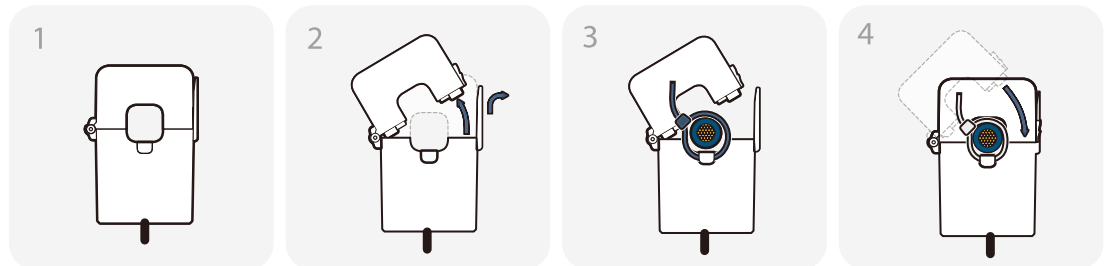
- Small-size, light-weight
- Simple Installation
- Over-Voltage protection circuit is installed.

FEATURES

- Output-lead-wire, secure locking hinge, one-touch structure make easy to install to the existent equipments such as a power distribution boards.
- Isolated plastic case recognized according to UL94-V0
- UL / EN 61010 - 1 certified



HOW TO USE



※ Please refer to "Split-core Current Transformer Installation Guide" for further details.

⚡ CAUTION: DANGER ⚡

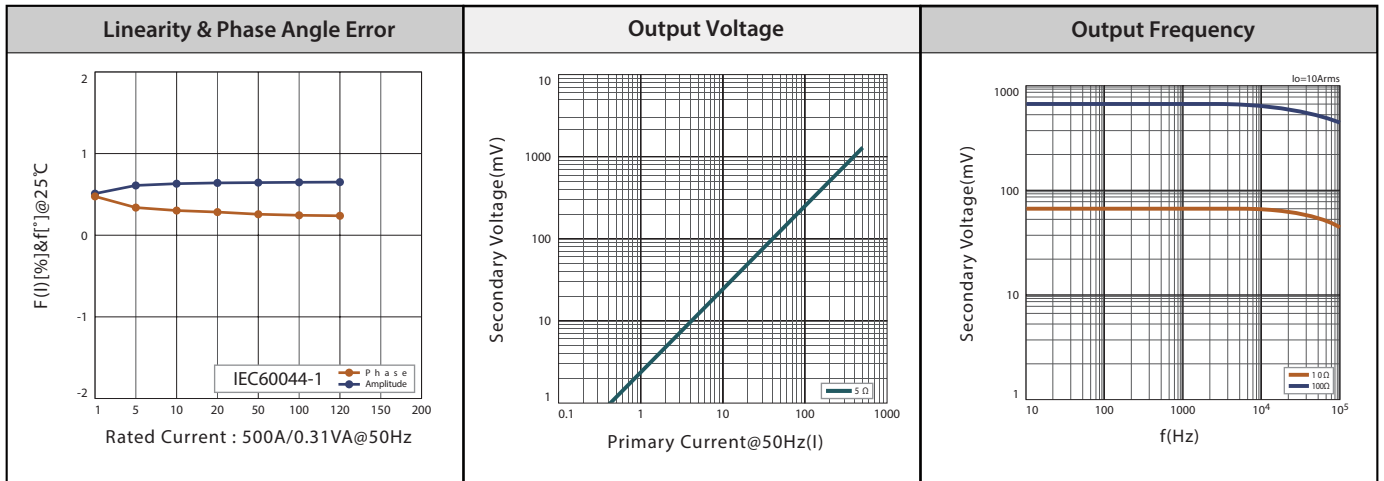
HAZARD OF ELECTRIC SHOCK, EXPLOSION, OR ARC FLASH

- In order to guarantee safe operation of the transformer, please read and understand the instructions thoroughly. For your reference, see NFPA 70E in the USA, or applicable local codes.
- Before servicing the CTs, turn off all sources of power and use a properly rated voltage sensing device to check if the power is off.
- Current transformer secondary must be shorted or connected to a burden all times.
- The transformer (split core type) must not be operated when it is not fully closed or the installation is not completed.
- Rearrange all covers and protective devices before powering the equipment.
- A qualified person is the one who is skilled and has knowledge about the construction and operation of this electrical equipment, and has received safety training to recognize and avoid the hazards involved. (NEC2011 Article 100)

🔔 NOTICE

- Core contact surface is waterproofed, however if it gets rusty, you could reuse after removing rusts with spraying WD-40 or CRC5-56 on the rusted side.
- Do not use any other chemicals except WD-40 or CRC5-56 on housing or any parts.
- Customizing out put lead wire
- This product is not intentionally made for safety applications.
- Make sure not to install this transformer in hazardous or classified areas.
- The installer is responsible for conformance to all applicable codes.
- Ignoring the warnings can lead to serious injury and/or cause damages.
- If this product is used in a way not specified by the manufacturer, the protection offered by the product may be impaired. No responsibility is taken by J&D Electronics for any consequences arising by not following this material properly.

■ ACCURACY DATA

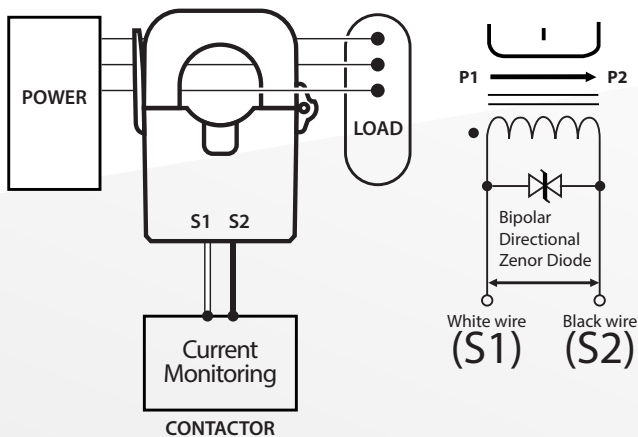


■ SPECIFICATION

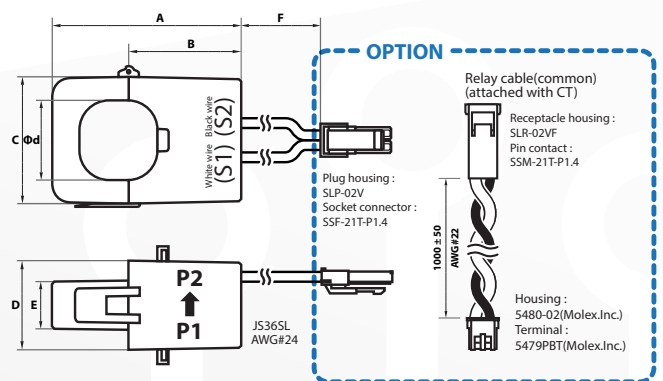
(F=50/60Hz)

Model	JS36SL Ø36
Current Ratio	400A/200mA
Current Range	0.1~500A (RL=5Ω)
Max Continuous Current	600A
Nominal Phase Angle Error	+0.5±0.5°
Nominal Linearity Error	±1%
Turns Ratio	2000:1(Winding : 1970T)
DCR	33±4Ω
Protection Level	3.0V0-P
Insulation Category	CAT III
Operating Condition	-20°C~+50°C, ≤85%RH, No condensation, In-house & Any direction installable
Storage Condition	-30°C~+90°C, ≤85%RH, No condensation

■ APPLICATIONS



■ DIMENSIONS



Unit : mm

Model	A	B	C	D	E	F	Ød
JS36SL	82.4	48	57.1	40.2	21.1	200±20	36