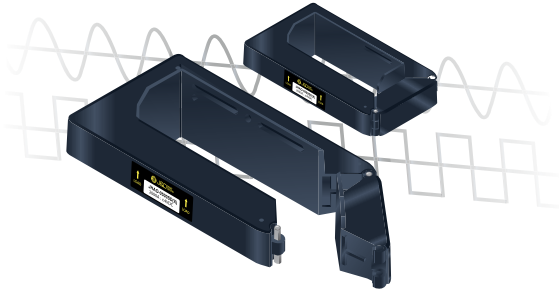




# OPEN-LOOP CURRENT SENSORS JHAO-XXXXSD(A/B) SERIES



## >>>> Features

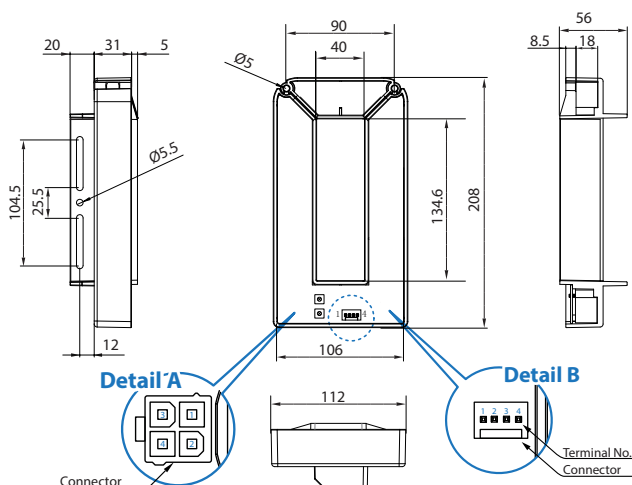
- Panel mounting
- Industrial temperature range
- UL94V0 compliance
- CE and RoHS available

## >>>> Specification

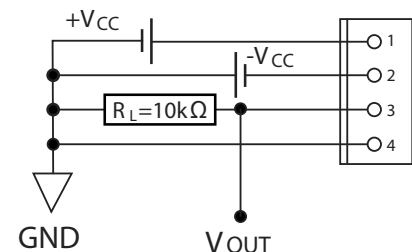
\* Suffix(X)=A/B

MODEL	JHAO -1000SD(X)	JHAO -1500SD(X)	JHAO -2000SD(X)	JHAO -2500SD(X)	JHAO -3000SD(X)	JHAO -4000SD(X)	JHAO -5000SD(X)
Rating current	±1000	±1500	±2000	±2500	±3000	±4000	±5000
Saturation current	±2000	±3000	±4000	±5000	±6000	±8000	±8000
Output voltage	±4 V, 0.5% at rated current RL=10KΩ						
Offset voltage	±20 mV						
Output linearity	±0.5% rated current						
Power supply	±15 V (±5%)						
Di/dt response time	7 μ sec (Typ.) at di/dt = F.S/μ Sec.						
Output temperature character	± 0.1% / °C (Typ.)						
Offset voltage temperature character	± 1mV / °C (Typ.)						
Hysteresis error	25mV(IF=F.S) Less than 25mV						
Insulation withstand voltage	AC 4000V / 1 min.						
Insulation resistance	DC 500V / 500MΩ max						
Operating Condition	-10°C ~ +70°C						
Storage Condition	-25°C ~ +85°C						

## >>>> Dimensions(unit : mm)



## >>>> Connection



Terminal Pin	1	2	3	4
Function	+ 15V	- 15V	Output	0V

Core=Silicon steel plate